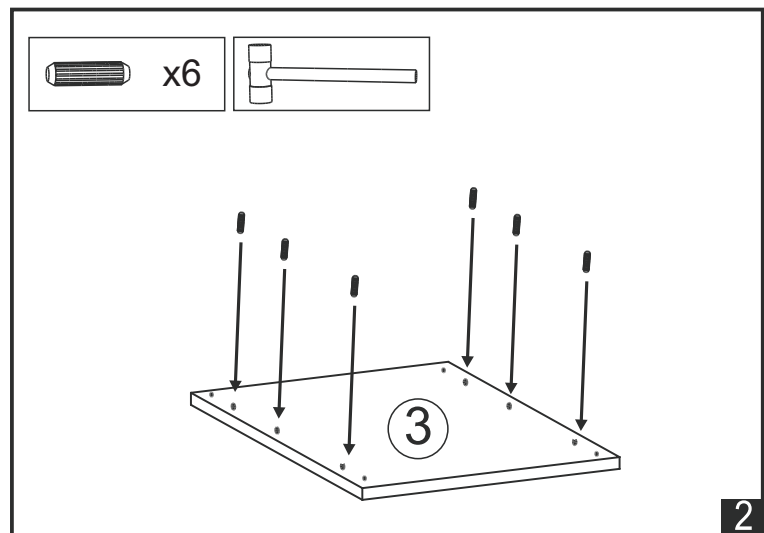
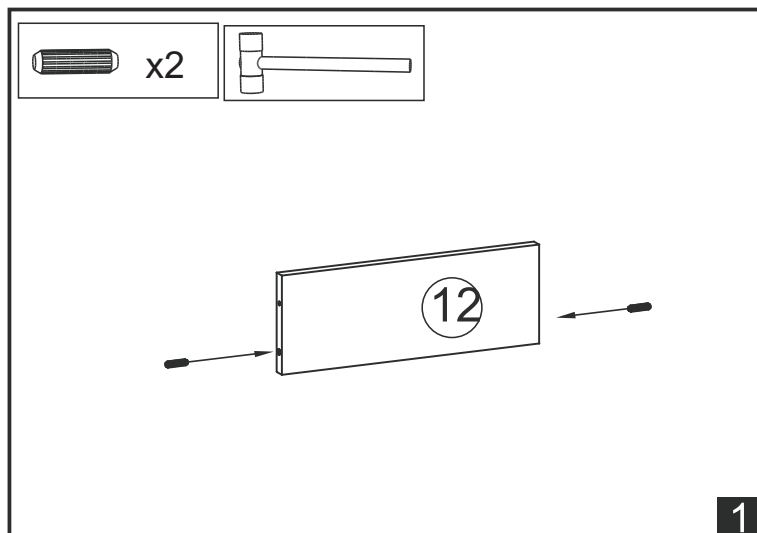
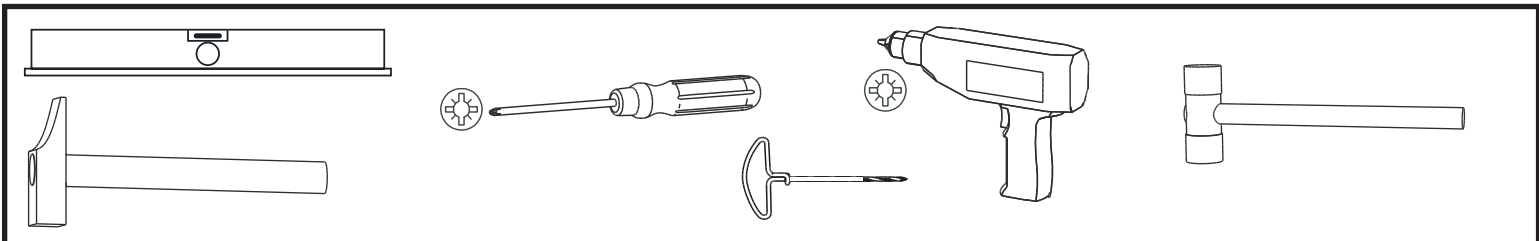
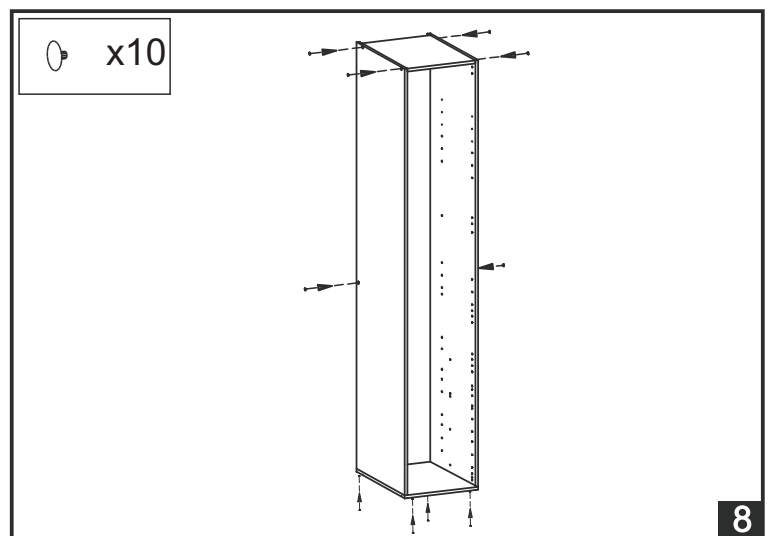
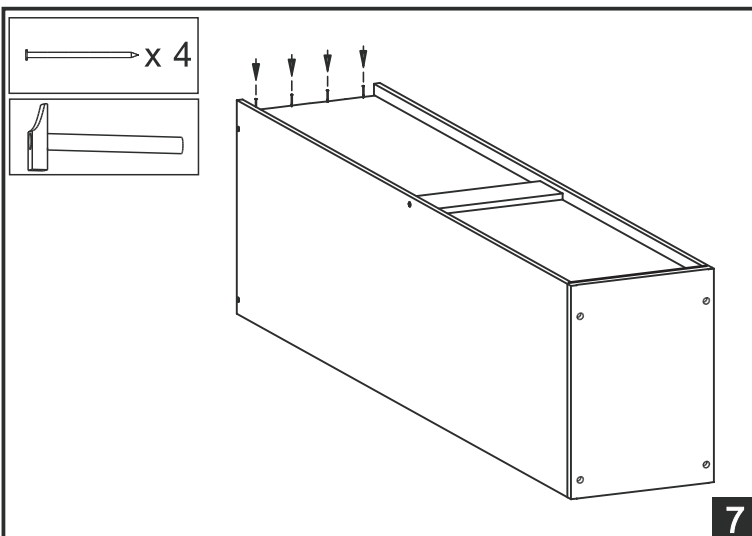
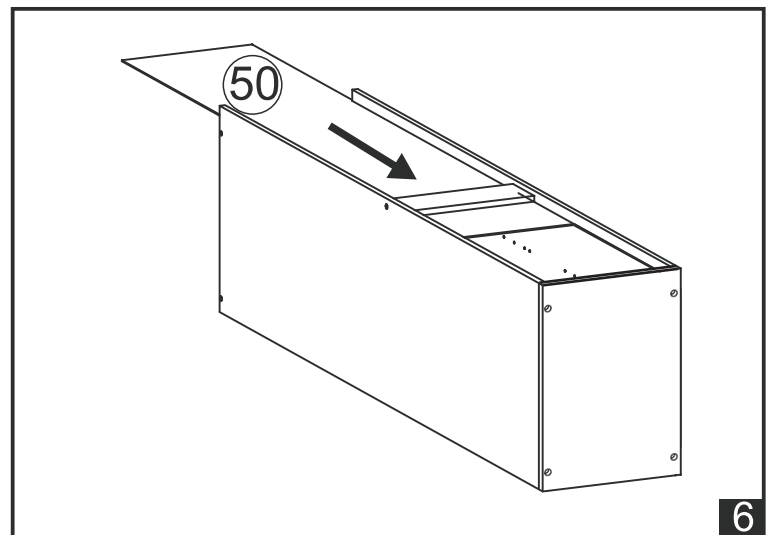
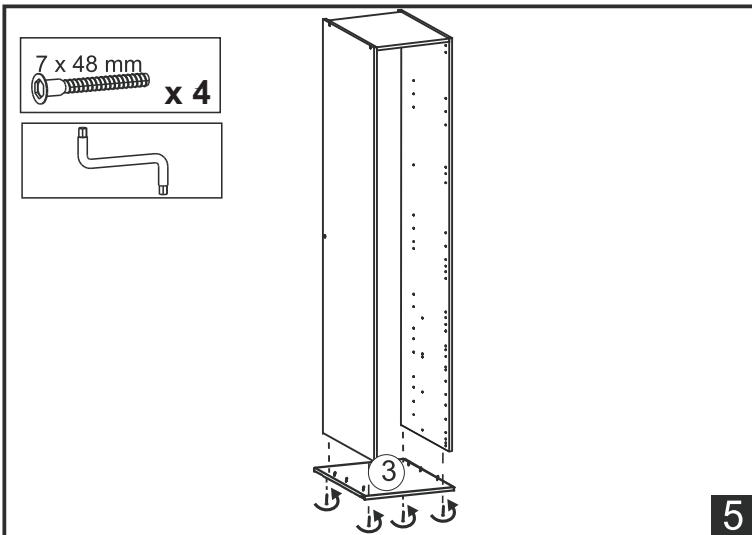
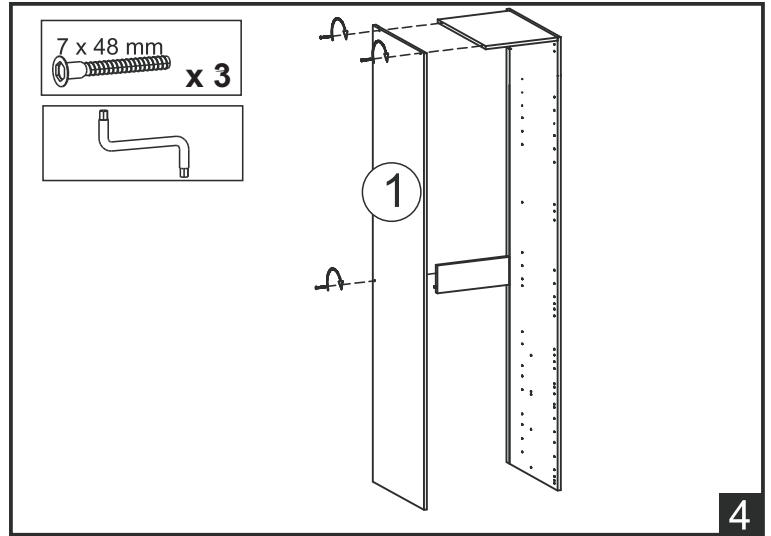
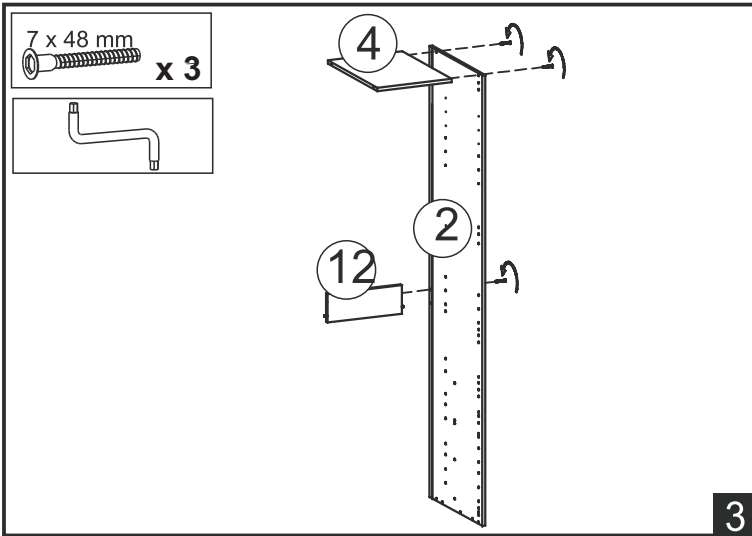
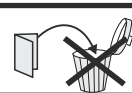


N° 234

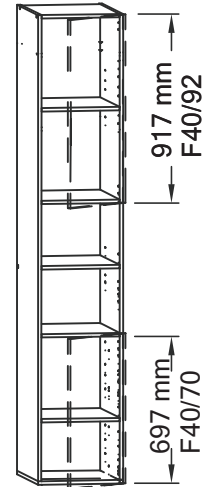
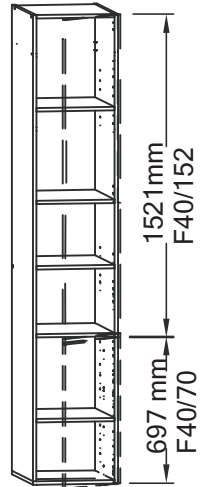
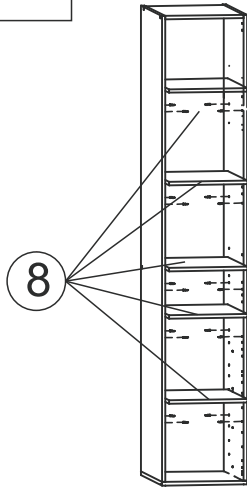
- | | |
|-----------|------|
| 7 x 48 mm | x 10 |
| | x 10 |
| | x 8 |
| | x 20 |
| | x 8 |
| | x 2 |
| | x 2 |
| | x 1 |
| | x 4 |
| | x 5 |
| | x 5 |
| | x 24 |
| 4x16mm | |



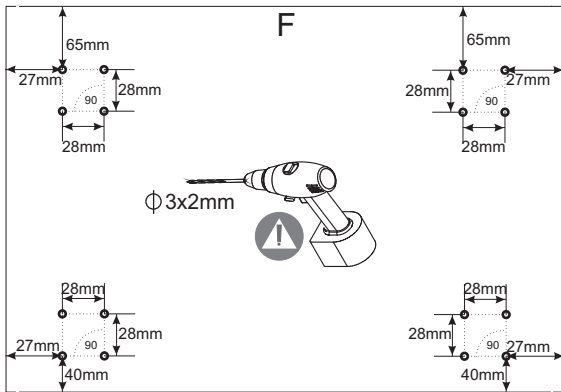




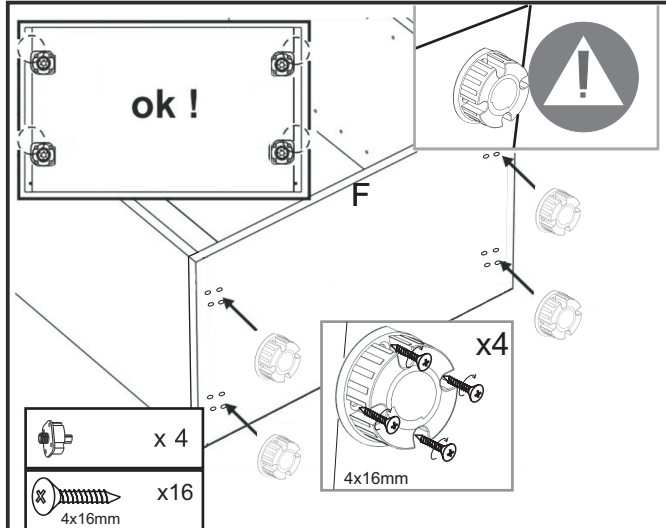
x 20



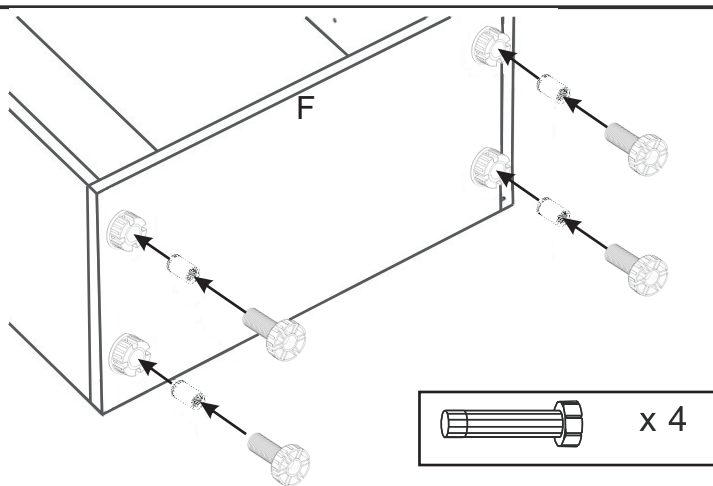
9



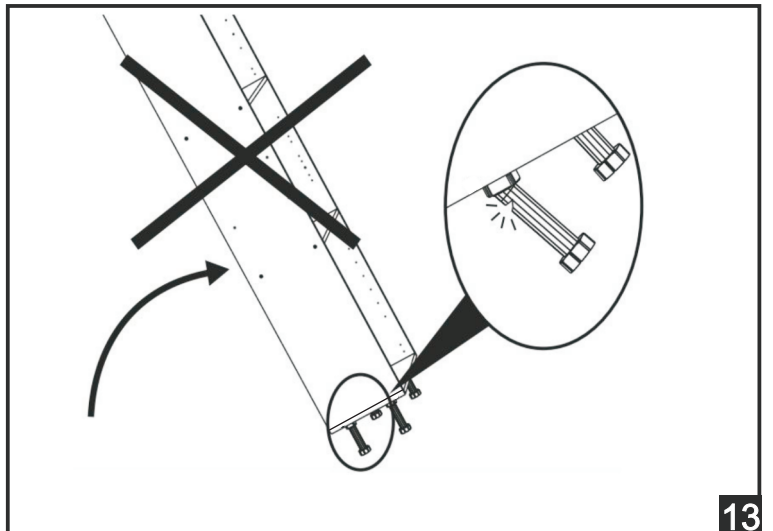
10



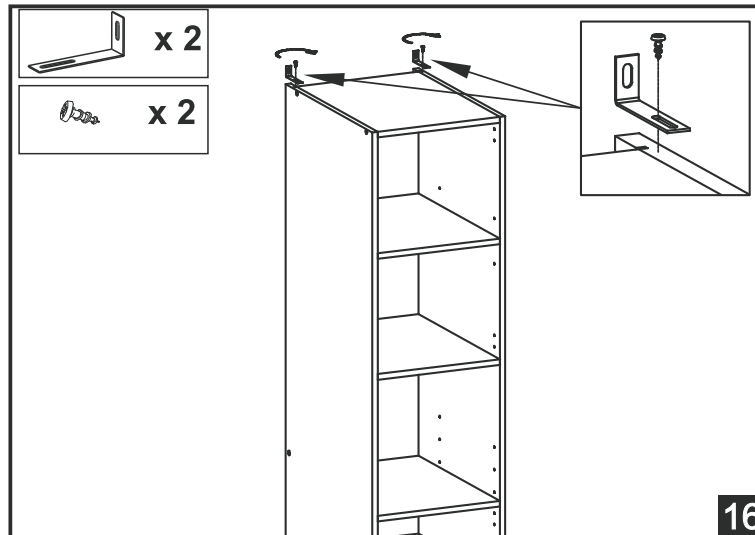
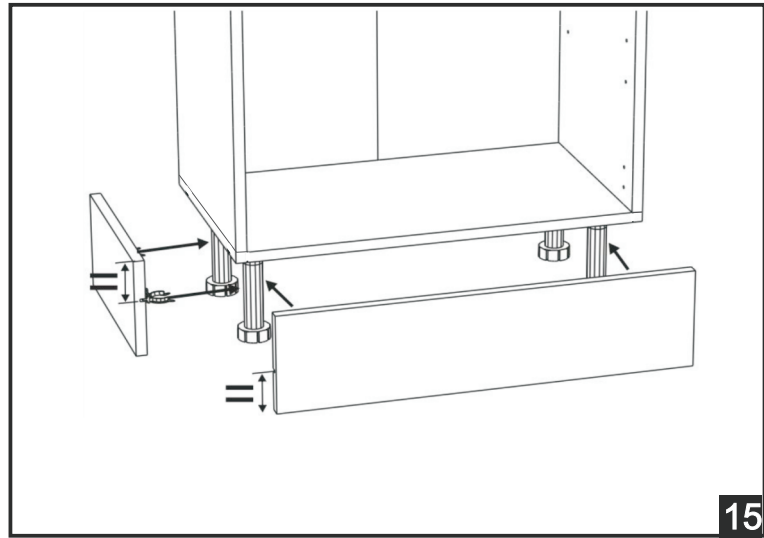
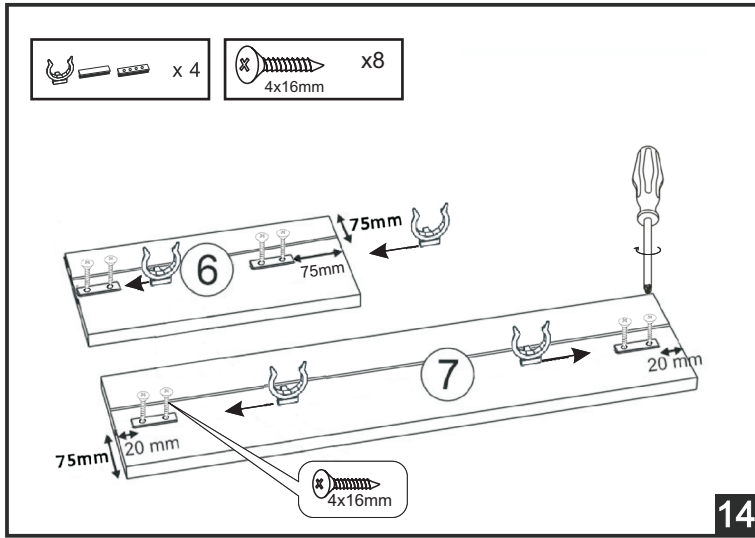
11



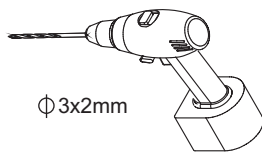
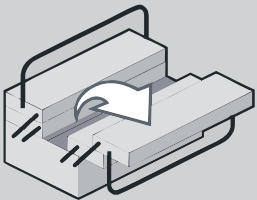
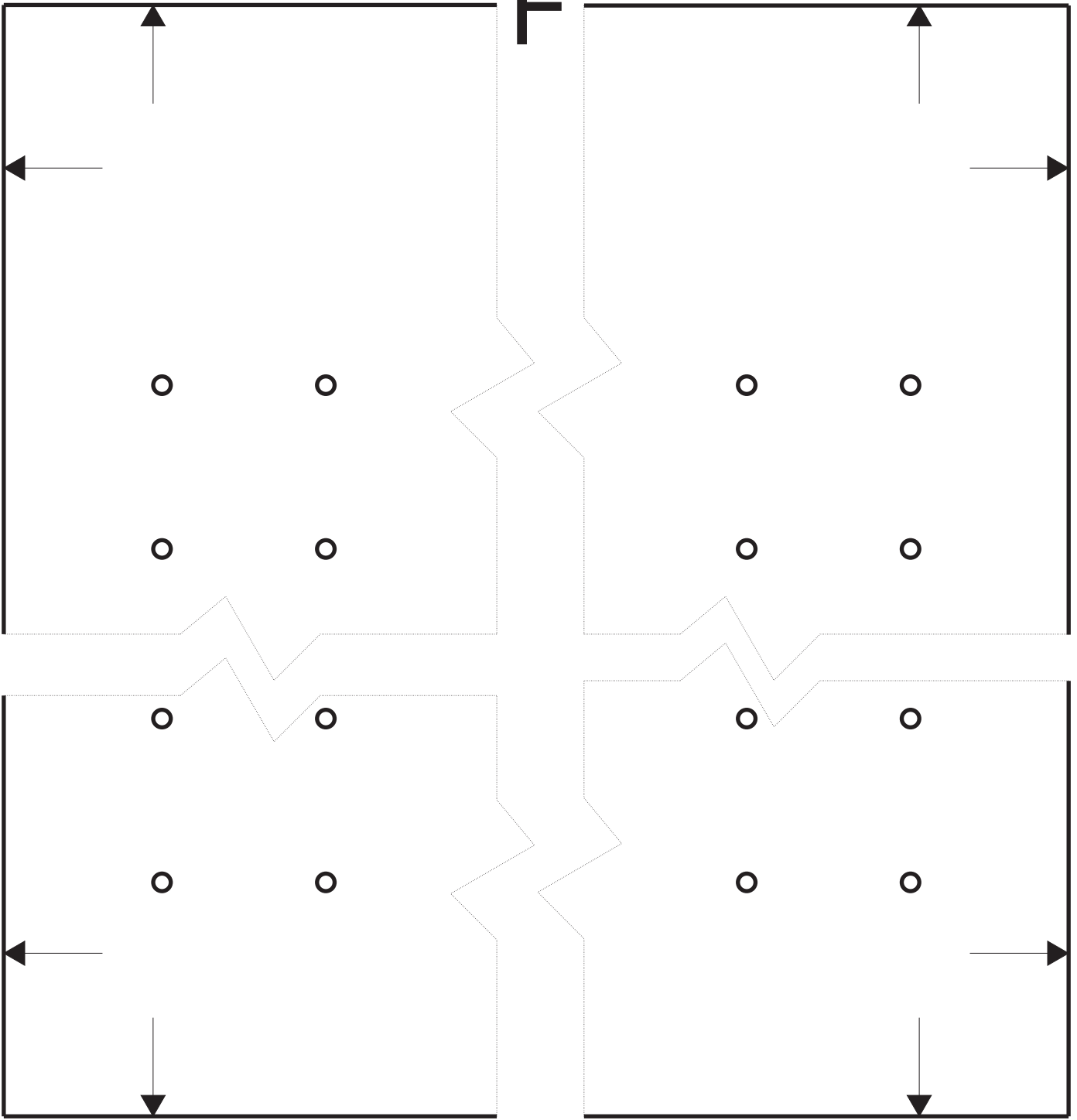
12



13



F



1:1